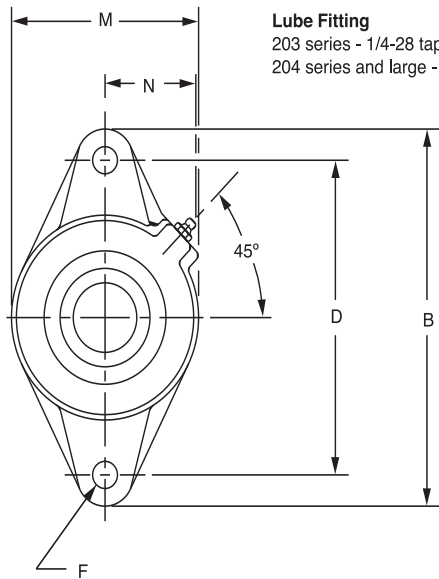


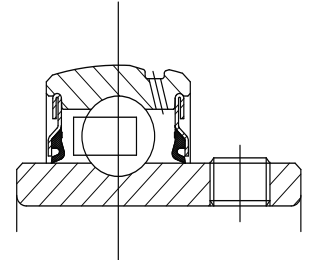
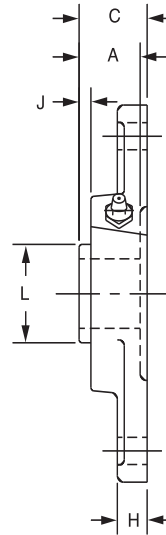


SELECTION/DIMENSIONS

Setscrew VSC Ball Bearings VSC INTERMEDIATE DUTY 2-BOLT FLANGE BEARINGS



Lube Fitting
203 series - 1/4-28 tapered thread
204 series and large - 1/8-27 NPT



Series	Shaft Size	Standard		No-Lube/Sealed for Life (-NL)	
		Part No.	Description	Part No.	Description
203	1/2	125516	F2B-VSC-008	@	F2B-VSC-008-NL
	5/8	125517	F2B-VSC-010	@	F2B-VSC-010-NL
	17mm	125703	F2B-VSC-17M	@	F2B-VSC-17M-NL
204	3/4	123610	F2B-VSC-012	057854	F2B-VSC-012-NL
	20mm	125704	F2B-VSC-20M	@	F2B-VSC-20M-NL
205	7/8	125518	F2B-VSC-014	@	F2B-VSC-014-NL
	15/16	125519	F2B-VSC-015	@	F2B-VSC-015-NL
	1	123611	F2B-VSC-100	050778	F2B-VSC-100-NL
	25mm	125705	F2B-VSC-25M	@	F2B-VSC-25M-NL
206	1-1/8	125520	F2B-VSC-102	@	F2B-VSC-102-NL
	1-3/16	123612	F2B-VSC-103	050840	F2B-VSC-103-NL
	1-1/4	123618	F2B-VSC-104S	051888	F2B-VSC-104S-NL
	30mm	125752	F2B-VSC-30M	@	F2B-VSC-30M-NL
207	1-1/4	123613	F2B-VSC-104	@	F2B-VSC-104-NL
	1-3/8	125521	F2B-VSC-106	049468	F2B-VSC-106-NL
	1-7/16	123614	F2B-VSC-107	051699	F2B-VSC-107-NL
	35mm	125706	F2B-VSC-35M	@	F2B-VSC-35M-NL
208	1-1/2	123615	F2B-VSC-108	@	F2B-VSC-108-NL
	40mm	125707	F2B-VSC-40M	@	F2B-VSC-40M-NL
209	1-11/16	125522	F2B-VSC-111	050842	F2B-VSC-111-NL
	1-3/4	125523	F2B-VSC-112	049892	F2B-VSC-112-NL
	45mm	125708	F2B-VSC-45M	@	F2B-VSC-45M-NL
210	1-15/16	123616	F2B-VSC-115	059811	F2B-VSC-115-NL
	2	123617	F2B-VSC-200	068716	F2B-VSC-200-NL
	50mm	125709	F2B-VSC-50M	@	F2B-VSC-50M-NL
211	2	123694	F2B-VSC-200L	@	F2B-VSC-200L-NL
	2-3/16	123619	F2B-VSC-203	@	F2B-VSC-203-NL
	55mm	125710	F2B-VSC-55M	@	F2B-VSC-55M-NL

@Assembled to order

FEATURES/BENEFITS PAGE B8-2	HOW TO ORDER/NOMENCLATURE PAGE B4-5	EASY SELECTION PAGE B8-3	ACCESSORIES PAGE B8-26
--------------------------------	--	-----------------------------	---------------------------

Eccentric Collar Ball Bearings
 Setscrew VSC Ball Bearing
 Eccentric SXV Collar Ball Bearing
 Take-Up Frames
 Engineering
 Part Number Index
 Keyword Index

SELECTION/DIMENSIONS



Setscrew VSC Ball Bearings

VSC INTERMEDIATE DUTY 2-BOLT FLANGE BEARINGS

Series	Shaft Size	Weight lbs. kg.	A	B	C	D	F Bolt Dia.	H	J	L	M	N
203	1/2	0.8	1.00	3.88	1.17	3.00	3/8	0.38	0.32	0.96	2.13	1.13
	5/8	0.7										
	17mm	0.36	25.4	98.6	29.7	76.2	M10	9.7	8.1	24.4	54.1	28.7
204	3/4	1.4	1.23	4.41	1.34	3.53	3/8	0.50	0.36	1.12	2.38	1.50
	20mm	0.63	31.2	112.0	34.0	89.7	M10	12.7	9.1	28.4	60.5	38.1
205	7/8	1.6	1.34	4.88	1.37	3.89	7/16	0.52	0.42	1.32	2.75	1.44
	15/16	1.5										
	1	1.4										
	25mm	0.67	34.0	124.0	34.8	98.8	M10	13.2	10.7	33.5	69.9	36.6
206	1-1/8	2.2	1.52	5.56	1.56	4.59	7/16	0.50	0.49	1.57	3.13	1.56
	1-3/16	2.1										
	1-1/4	2.0										
	30mm	0.94	38.6	141.2	39.6	116.6	M10	12.7	12.4	39.9	79.5	39.6
207	1-1/4	3.5	1.71	6.13	1.75	5.12	1/2	0.56	0.53	1.84	3.75	1.84
	1-3/8	3.3										
	1-7/16	3.2										
	35mm	1.43	43.4	155.7	44.5	130.0	M12	14.2	13.5	46.7	95.3	46.7
208	1-1/2	4.1	1.94	6.75	1.98	5.66	1/2	0.56	0.63	2.05	4.13	1.83
	40mm	1.83	49.3	171.5	50.3	143.8	M12	14.2	16.0	52.1	104.9	46.5
209	1-11/16	5.0	1.94	7.06	1.99	5.84	1/2	0.63	0.59	2.22	4.38	1.91
	1-3/4	4.9										
	45mm	2.23	49.3	179.3	50.5	148.3	M14	16.0	15.0	56.4	111.3	48.5
210	1-15/16	5.4	1.94	7.44	2.02	6.19	1/2	0.63	0.55	2.43	4.56	2.03
	2	5.2										
	50mm	2.41	49.3	189.0	51.3	157.2	M16	16.0	14.0	61.7	115.8	51.6
211	2	6.7	2.22	8.63	2.28	7.25	5/8	0.67	0.68	2.71	5.25	2.27
	2-3/16	6.5										
	55mm	2.99	56.4	219.2	57.9	184.2	M16	17.0	17.3	68.8	133.4	57.7

FEATURES/BENEFITS PAGE B8-2	HOW TO ORDER/NOMENCLATURE PAGE B4-5	EASY SELECTION PAGE B8-3	ACCESSORIES PAGE B8-26
--------------------------------	--	-----------------------------	---------------------------